

EXCELLENCE IN OFFSHORE SUPPLY

YOUR EXPERIENCED ENERGY SECTOR
PARTNER FOR STEEL PRODUCTS



Member of



BARRETT STEEL OFFSHORE

Who We Are

As part of Barrett Steel, the UK's largest steel stockholders, Barrett Steel Offshore have assembled an experienced team with vast industry knowledge, providing a dedicated and focused service to the oil, gas, and renewable energy sectors, offering total supply solutions.

From our service centres in Montrose and Middlesbrough, the Barrett Offshore team partner with our customers to provide technical expertise and reliability, supported through our quality management systems to deliver quality products, documentation, and service to the energy sector.

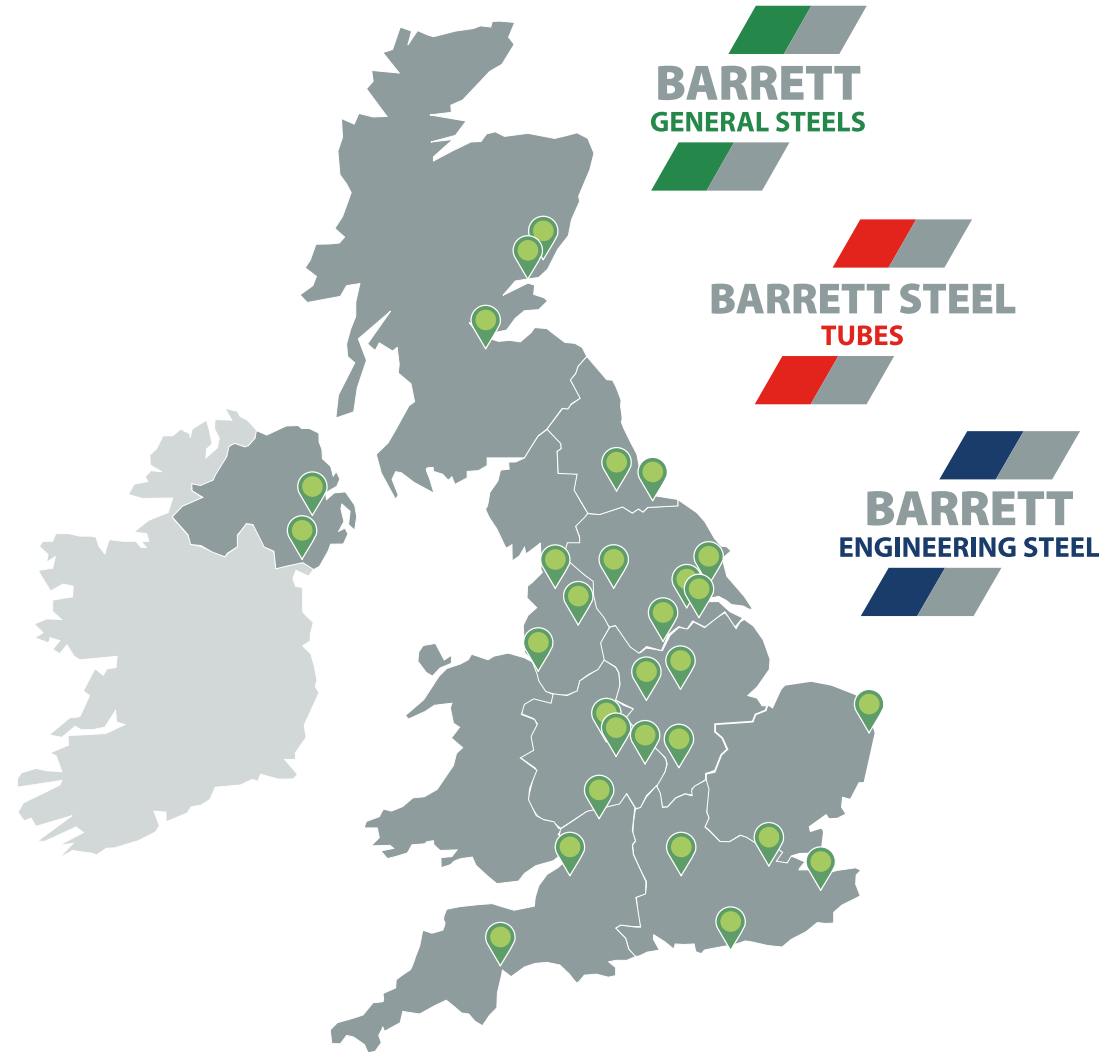


BARRETT STEEL GROUP

Barrett Steel Tubes is a division of the Barrett Steel Group who, for over 150 years, have strived to provide top quality customer service and develop long-term mutually beneficial partnerships, setting us apart from our competitors. As the UK's largest steel stockholder, we have significant buying power and provide our customers with excellent value.

Being part of the Barrett Steel Group means we can be a 'one stop shop' for all your project requirements with stock, processing and ancillary products all from one source.

- Structural Section and Mild Steel – beams, columns, angles, flats and channel.
- Hot and Cold Structural Hollow Sections.
- Engineering Bar – bright and black, carbon, alloys, oil and gas grades and forged bar.
- Safety and Access Products – handrailing, fabricated flooring, weld mesh, Defender, Armco.
- Glass Reinforced Plastic (GRP) products such as flooring, stair treads and fabricated structures.



£440
MILLION
TURNOVER
year ending Sept 21

25+
SITES
LOCATED
strategically across the UK

1000+
STAFF

160+
TRANSPORT
FLEET

100
THOUSAND
TONNES
of steel stock

£50
MILLION+
INVESTED
over the past 7 years

UNRIVALLED STOCK OFFERING

Our extensive group stock offering includes:



Open Sections

EN 10 025 S355J2 +M

UB (Universal Beams) 127 x 76 to 914 x 305

UC (Universal Columns) 152 x 152 to 356 x 406

RSA (Rolled Steel Angle) up to 200 x 200 and 200 x 150

PFC 100 x 50 to 430 x 100



Hot Formed Hollow sections

EN 10 210 S355J2H

SHS 50 x 50 to 400 x 400

RHS 50 x 30 to 500 x 300

CHS 26.9mm OD x to 610mm OD



Open Sections produced by EAF (Electric Arc Furnace) Method which results in low Co_{2e} Steel



All material is source from European mills/suppliers and supplied with EN10204 3.1 certification as standard.



PLATES AND PROFILING

Our dedicated plate profiling centre in Rotherham serves the Barrett Steel group and we have recently invested in a new Esprit 10KW Photon 5G Laser to further enhance and complement our existing 10Kw & 4Kw laser machines. With this continued investment our services to the Offshore Sector have been pushed to new levels of customer service.

Profiling Services we offer include:

- Shotblasting
- Laser Cutting
- High Definition Plasma
- Drilling
- Flame Cutting
- Folding

Our three High-Definition Plasma machines cut up to 50mm thickness, as well as a Ficep Drill line which offers tapping and countersinking capabilities.

To complete our range of profiling offerings we can also offer Flame Cutting on plates up to 180mm thick.



POWER TO PROCESS

The Barrett Group have long led technical innovation through our continuous investment in the latest equipment and have the power to process through our unrivalled processing capabilities. Our latest addition to the group is our LT24 Jumbo Laser that is only the second of its kind in the UK.

Tubes



From 80mm to 610mm

Rectangular Sections



From 120mm x 80mm
to 500mm x 300mm

Square Sections



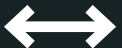
From 80mm x 80mm
to 450 x 450mm

Open Sections



From 80mm x 80mm
to 500mm x 300mm

Maximum cutting thickness



25mm

(2D cutting)

Maximum thickness cut dependent on section size and machine - 25mm.

Maximum thickness in Stainless Steel same as above but limited to 10mm.

Aluminium and other non-ferrous on application.

The Benefits of Laser

- Parts and frames of any complexity
- Elimination of lay out
- Preparation for welding
- Small or large batches
- Eliminates risk on complex tubular trusses
- Short delivery times
- Automation and high productivity



We also offer a wide range of processing services including:

- Tube and section profiling - We house the largest range of tube lasers in Europe with the ability to process Square, Rectangular and Circular Tubes.
- Saw cutting – plus the ability to offer lasered complex compound mitres on sections via our Jumbo Laser lines.
- Drilling and countersinking.
- Split Tees.
- Shot-Blasting and Primer Painting via our fully automated Steel preservation lines, ensuring that your steel arrives with you just as you require it.

We also have the capability to offer a **Total supply solution** for your entire offshore production project by utilising our diverse product range and long-established global supply relationships.

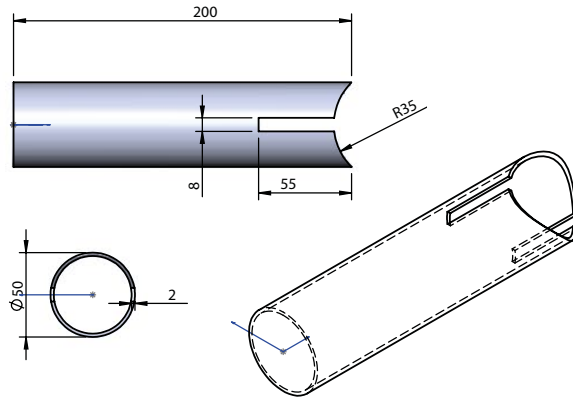
This allows us to provide a multi-product package to meet your supply chain needs.



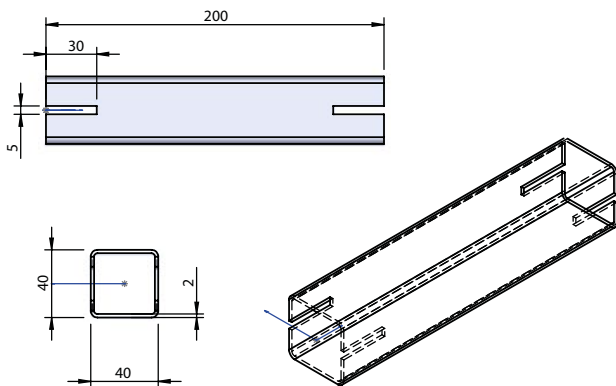
HOLLOW SECTION CUTS

These cuts are examples of and not limited to our abilities, please contact the team with any other requirements.

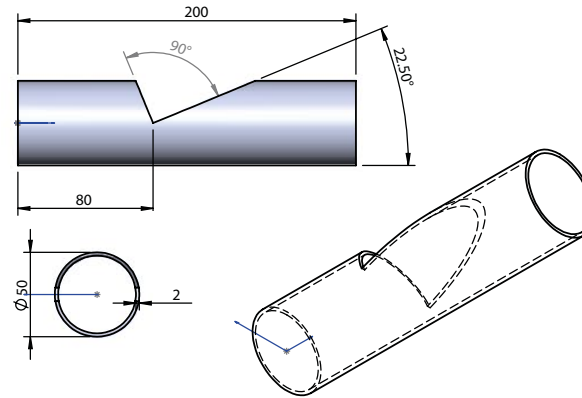
Bird Mouth Circular



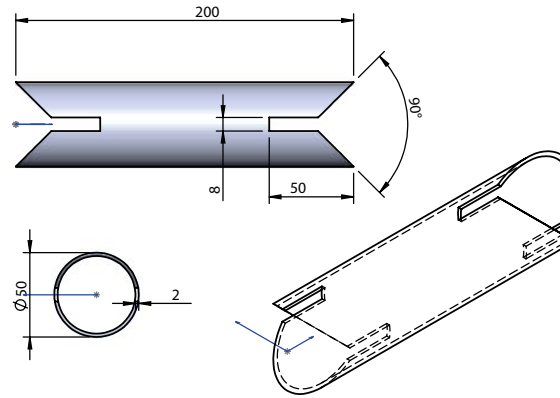
Bird Mouth Square



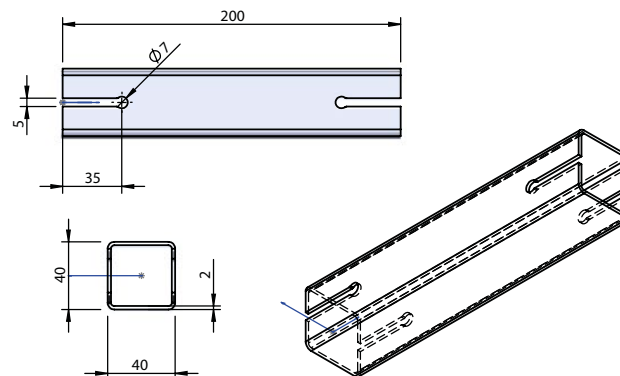
Resting Cut



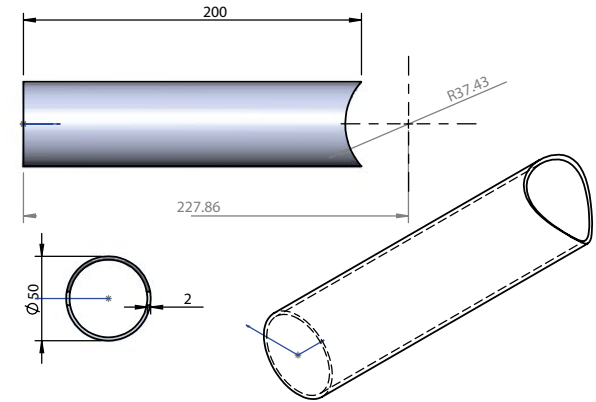
Scalloped Bird Mouth



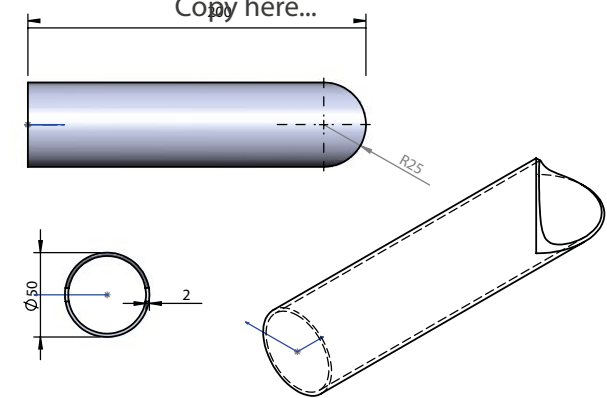
Slot in Fatigue



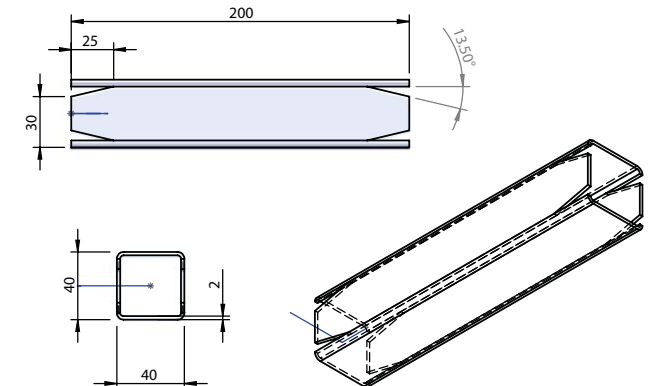
Saddle Cut



Cod Mouth

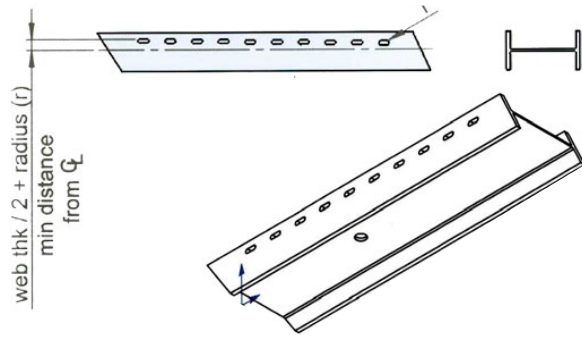


Weld Closure

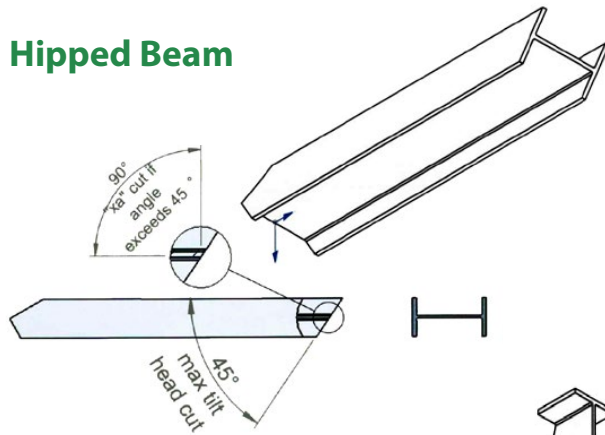


OPEN SECTION CUTS

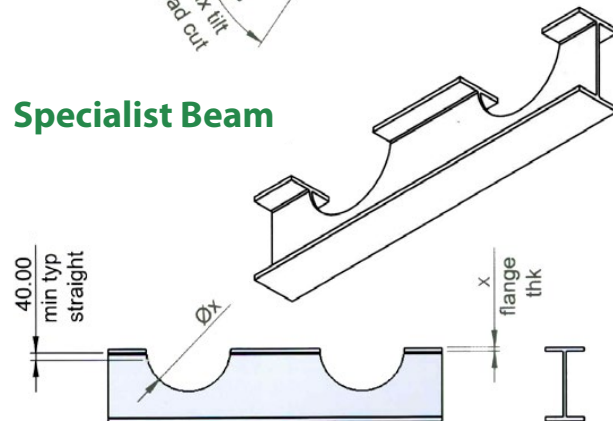
Slotted Beam



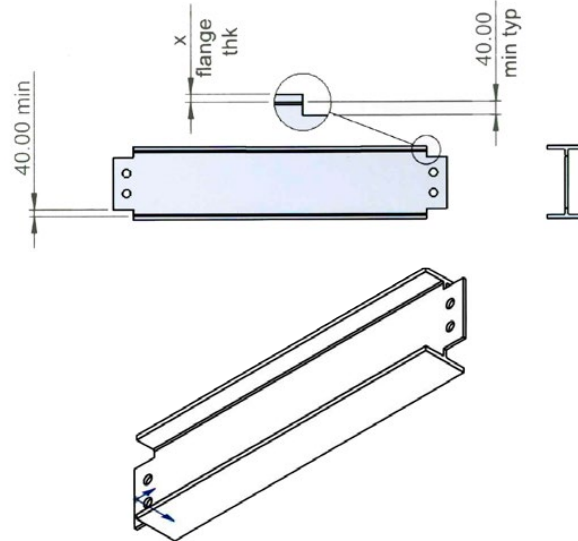
Hipped Beam



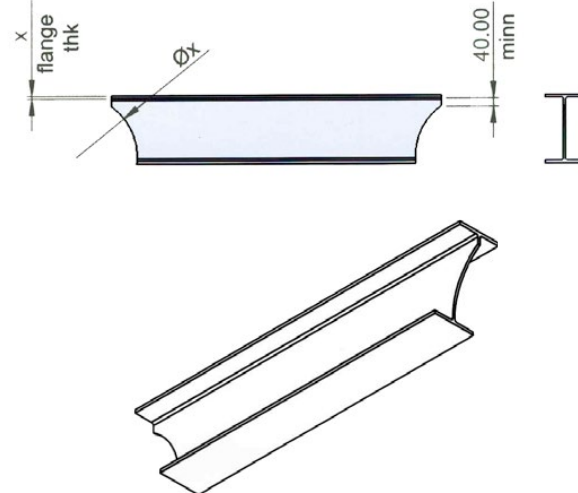
Specialist Beam



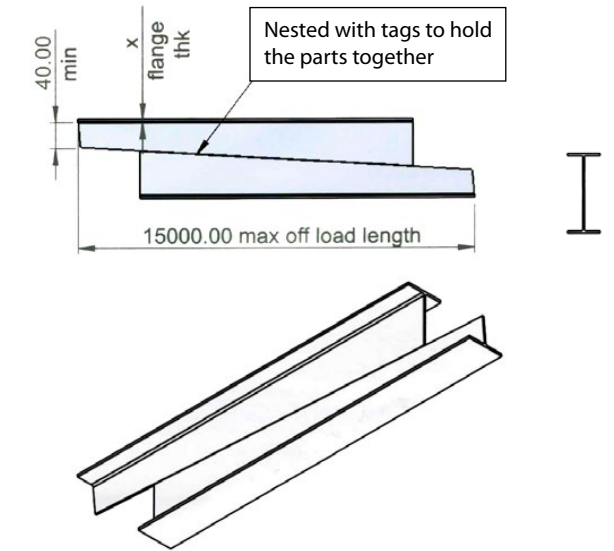
Notched Beam



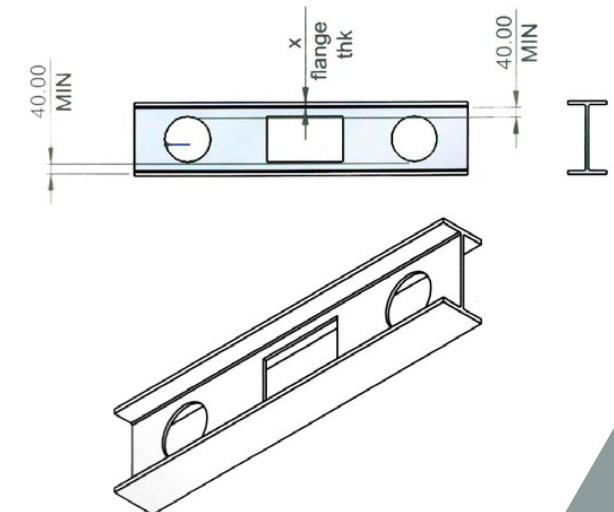
Architectural Profiles



Tapered Beams & Haunches



Service Holes



SAFETY AND ACCESS

Alongside our extensive steel portfolio, we can also supply a wide range of Safety and Access solutions that are perfectly tailored to the Offshore and Energy Sectors.

This range includes, but is not limited to:

- Steel Forge Welded Grating available in standard panels or supplied fabricated to requirements. We can also supply Safegrid Serrated flooring if specified.
- Extensive options in steel perforated planking for a wide range of applications that are ideal for Wet, Icy, Oily or Greasy underfoot conditions. We can additionally supply a wide range of ladder rungs.
- Stair Treads and Nosing including GRP Treads and Safetread if specified.
- GRP Flooring panels either in standard panels or fabricated to requirement. We can supply these in gritted or plain solid top or mesh/micromesh varieties.
- Part of our GRP flooring range that is perfect for the Offshore Sector is Phenolic Gratings. These are chemically resistant (especially to sea/salt water), have increased fire safety (reduced smoke density/toxicity), excellent strength to weight ratio, Non-Flammable nature and stronger in sub-zero conditions, possess low conductivity, have dimensional stability and are corrosion resistant with a low product life cycle cost.
- Bespoke handrail solutions for the Offshore Sector including Saferail on request.
- Ability to supply a wide range of Safety Gates to support all handrail barrier options.

In addition to these we can also supply Armco Barrier Systems, Roof Protection Systems and a wide range of Weld or Expanded Mesh.



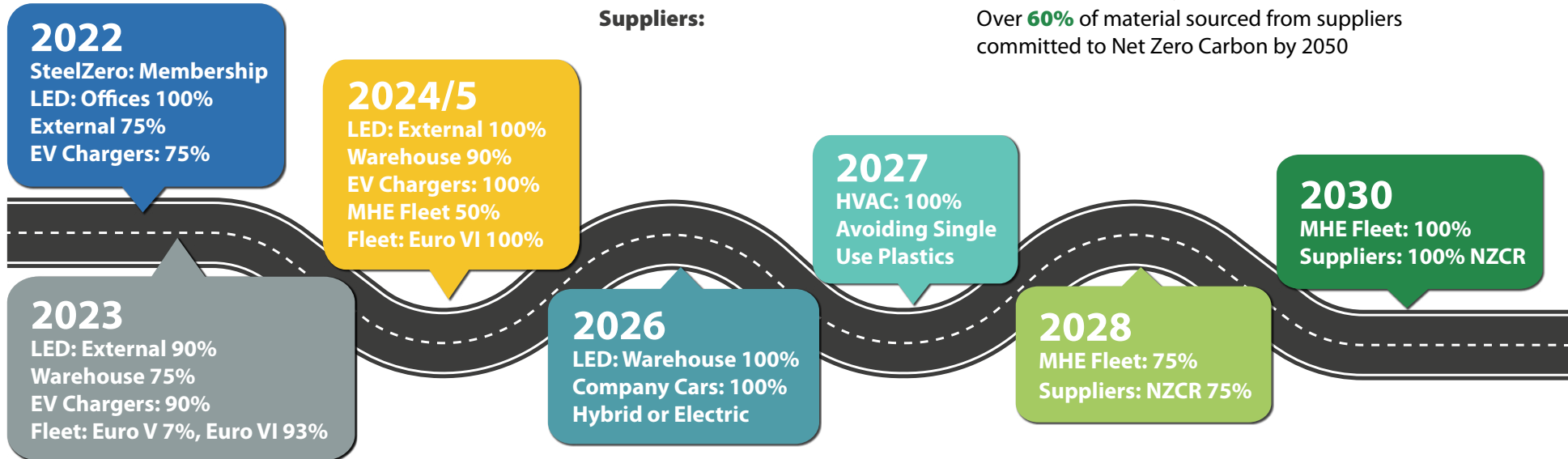
BARRETT STEEL DELIVERING NET ZERO CARBON BY 2035



2020/21 Carbon Footprint
12,035 Tonnes

Current State November 2021

Energy Sourced (Electricity): From **100%** Renewable Sources
Company Cars: Hybrid **35%** and Diesel **65%**
Electric Vehicle (EV) Chargers: Sites with EV Charge Points **52%**
Delivery Fleet: Pre Euro V **10%** Euro V **37%** VI **53%**
LED Installations: Offices **93%**, Warehouse **33%**, External **52%**
MHE Fleet (Side-loaders, FLT's etc): **21%** Electric / Battery Powered
Suppliers: Over **60%** of material sourced from suppliers committed to Net Zero Carbon by 2050



Barrett Steel Group Roadmap Explained

The UK Government has set its target for net zero carbon by 2050, Barrett Steel had already started its journey back in 2010. With the installation of renewable energy (Solar) at 7 of its locations.

This roadmap has been formulated to create a credible strategy to deliver net zero. It has been based on Science Based Target Initiatives with opportunities to both decarbonise & offset emissions using a range of technology, industrial advancements & energy use reduction.

Switching from fossil fuel powered lifting equipment to electric powered SL's & FLT's is just one example, along with smart intelligent lighting systems & renewable energy storage & redistribution will assist in the achievement of our objectives. Not to mention Behavioural Change across the business plus compliance to ESOS & SECR legislation.

Net Zero Carbon by 2035



BARRETT STEEL
OFFSHORE



Part of the Barrett Steel Group

BARRETOFFSHORE.COM
SALES@BARRETOFFSHORE.COM
01274 654280